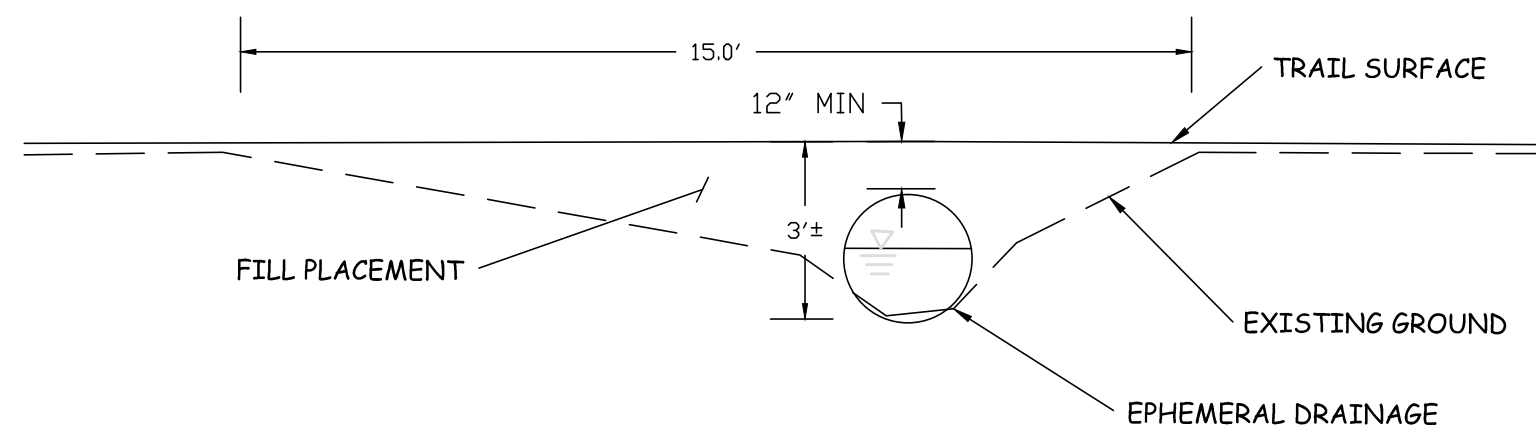
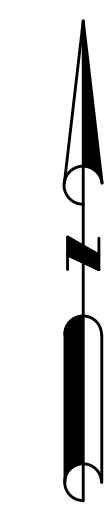
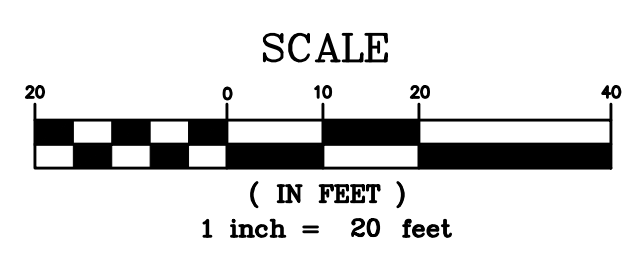
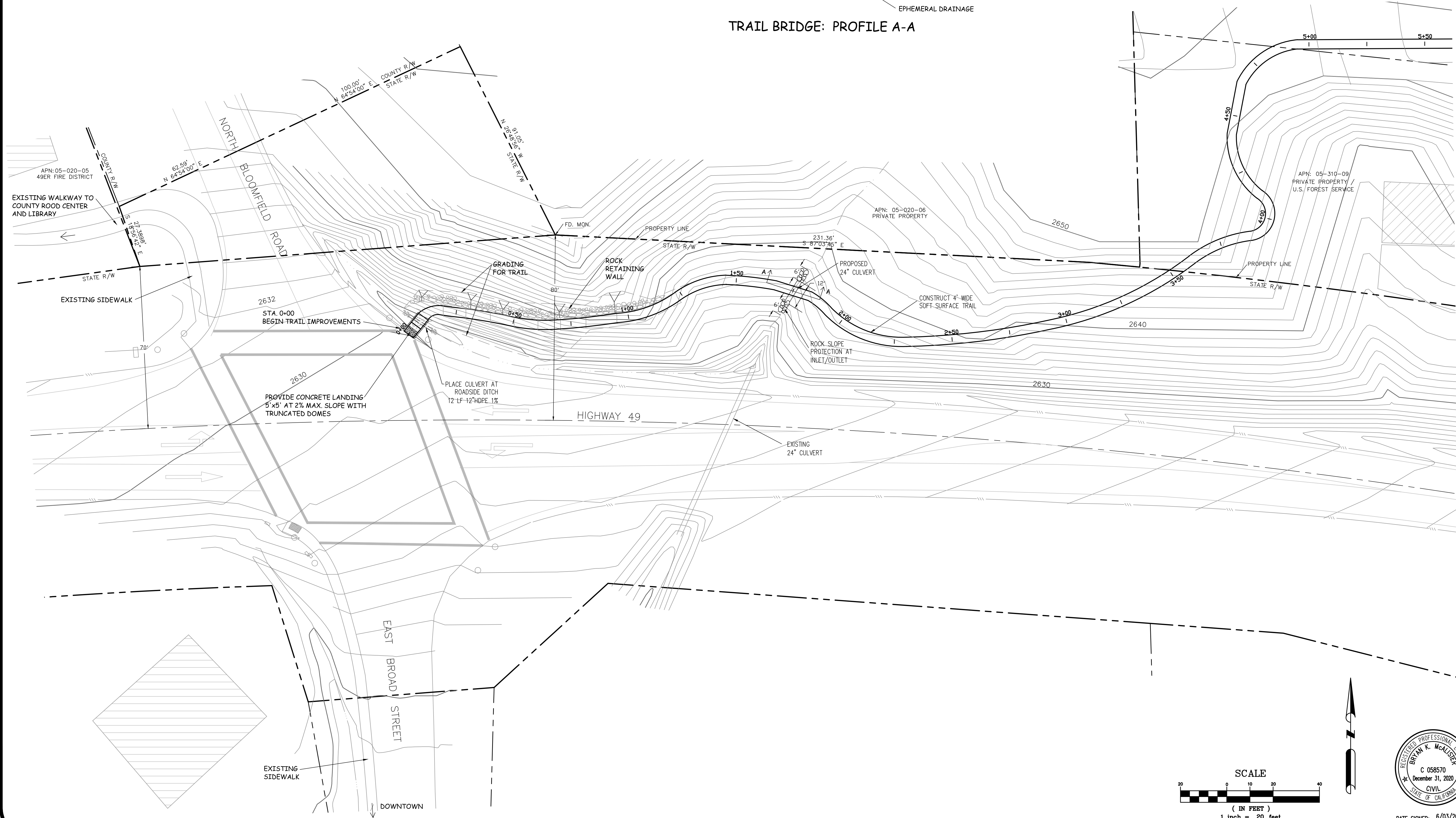


NOTE:  
 REMOVE TOPSOIL AND SCARIFY 8" TO  
 PREPARE SUBGRADE PRIOR TO PLACEMENT  
 OF FILL. COMPACT SUBGRADE AND CULVERT  
 BACKFILL (CLASS 2 AB) AT 90% R.C.



TRAIL BRIDGE: PROFILE A-A



DATE SIGNED: 6/03/2019

DESIGNED: WJF / BKM
DRAWN: BKM
PROJ. NO:
DWG: trail sugarloaf
DATE: Nov, 2018

SUGARLOAF TRAIL CONNECTION

ENLARGED SITEPLAN

CALIFORNIA

NEVADA CITY

CITY OF NEVADA CITY  
 317 BROAD STREET  
 NEVADA CITY, CALIFORNIA 95969  
 (530) 265-2496

C2

2 OF 2