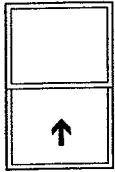
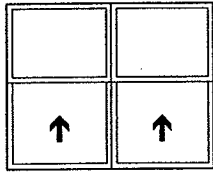


6210 Vertical Sliding Windows

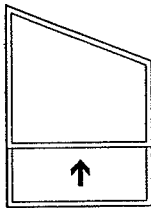
6000
SERIES
STYLE LINE VINYL



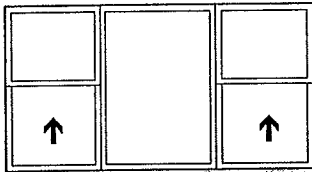
Single-Hung



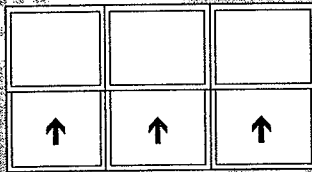
Double Single-Hung



Gable Top Single-Hung



Double Single-Hung/Center Lite



Triple Single-Hung

- SINGLE-HUNG
 - Min 1'2"
 - Max 4'6"
- DOUBLE SINGLE-HUNG
 - Min 2'2"
 - Max 7'6"
- TRIPLE SINGLE-HUNG
 - Min 3'2"
 - Max 9'6"

Minimum egress is 3'5" with a 30" bar set or 2'6" with a 36" bar set.

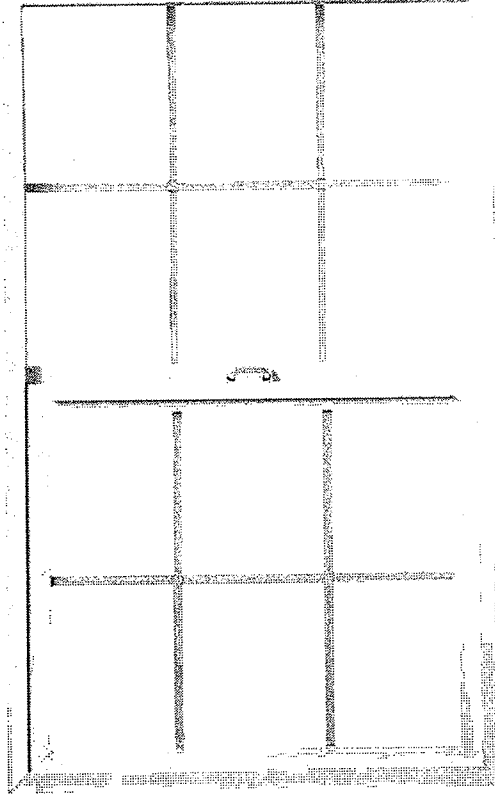
SH vent set: 12, 15, 18, 21, 24, 27, 30, 33 or 36

NOTE: For engineering approval contact your Milgard representative for any configuration over 40 square feet. Each Milgard Manufacturing plant reserves the right to alter or change sizes and configurations according to location capabilities. Ask your Milgard rep about specialty applications.

Windows over 40 square feet shipped open for field glazing. Varies by location.

6210 Vertical Sliding Windows

6000
SERIES
STYLE LINE VINYL



The 6210 series vinyl (PVC) Vertical Sliding window blends the energy efficiency and low maintenance of vinyl with the clean lines and low profile appearance of an aluminum window. The result is a more contemporary look with maximum glazing area. Available in White or Tan homogenous window frames, the 6210's durable vinyl exterior will never need painting. The windows will maintain their color and shape and can be constructed to your exact size specifications, subject to review.

Like all Milgard windows, doors and skylights, the 6210 Series carries a Full Lifetime Warranty to the original single family homeowner covering both materials and labor.

Commercial and apartment projects are covered by a 10-year warranty from date of manufacture, covering all materials and labor, including the glazing unit.

CONFIGURATIONS

The 6210 series is designed as a single hung. Vertical sliding windows can be used alone or in tandem with radius, gable or picture windows for virtually any combination.

COMPONENTS

FRAME

Frame components are made from high performance polyvinyl chloride, available in White or Tan window frames. The 6210 series is designed to offer a low profile appearance, ideal for contemporary homes or whenever maximum glazing area is desired. Mitered corners are precision welded resulting in an air and water tight seal. Standard frame depth is 2-7/8", ideal for both new construction and for use as a replacement window.

6210 Vertical Sliding Windows

NAIL-ON FIN

A 1-1/16" pre-punched nail flange extends around the perimeter frame, securing the window in rough openings and acting as a part of the flashing system. The nailing fin may be removed as needed for particular block frame applications. Fin setbacks are available in 1-3/8" from outside of frame; also in 1" (6230 series) for our SW locations using 3 coat stucco applications (not available at all locations).

WEEP SYSTEM

Hollow sill construction and offset weep holes which release any accumulated moisture from track and help prevent blow back, or water seeping to the interior caused by a combination of wind and rain.

GLAZING MATERIAL

AAMA approved glazing tape adheres glass to the frame which seals and cushions the glass. Rigid vinyl setting blocks are used to support the unit above the sill, preventing glass slippage. Extruded vinyl glazing (snap-in) bead is applied around the interior edge.

Glass Insulating dual glazed panes, 3/4" in overall thickness, are butyl sealed for energy efficiency. Specialty glass options are available upon request.

VENT PANEL

The vent panel has an "L" shaped lip that fully interlocks with the horizontal meeting rail, adding security and preventing air and water penetration. The vent panel operates on concealed block and tackle balancers, allowing the vent to remain open in any position. The balancer is installed in the jamb on each side of the window and is easily removed for replacement.

WEATHERSTRIPPING

Silicone-treated water-repellent polypropylene fin seal weatherstripping provides a durable, weather tight seal. This weatherstripping is installed in an integral, continuous keyway around three sides of the vent panel and the interlock.

LOCKING ASSEMBLY

A positive action lock mechanism provides security and a tighter seal. The lock engages when the window is closed.

SCREEN

Screen frames are cambered aluminum, reinforced with rigid plastic corner clips. Screens come standard with matching frame color. The fiberglass charcoal screen mesh is strong, durable and easy to replace. Two plastic pulls located on the screen allow you to install from inside or outside of house.

ENERGY PACKAGES

Milgard offers two energy efficiency upgrade packages that offer increased U-Value performance. 3D™ and 3D MAX™ use the ENERGY STAR® criteria from each climate zone and utilize materials that are tailored to each individual climate to increase energy efficiency. The combination of the frame material, product design and glazing unit make up the 3 components of the energy packages. The Style Line Series receives up to 26% increase in energy efficiency with the 3D MAX package.

Note:

- Packages available in most markets. Please see your local sales representative for details.
- 3D and 3D MAX energy packages are based on insulated glass units with Single Strength (3/32") and Double Strength (1/8") glass. Some glass thicknesses and internal grid combinations may result in lower energy performance.
- 3D and 3D MAX energy packages are not included with the 8125 Double Slider, 5621WS Wide Stile Sliding Door, 8225 Double Hung when selecting grids and are currently not available in breather tube applications.

OPTIONS

GRIDS

Available in 5/8" flat. Color-matched to frame. 1-1/16" sculptured grid available in select markets – check with your Milgard representative.

GLASS

Refer to glass section.

Many more options are available. Please check with your Milgard Representative.

TEST STANDARDS

See Test Reports/Energy Ratings section.

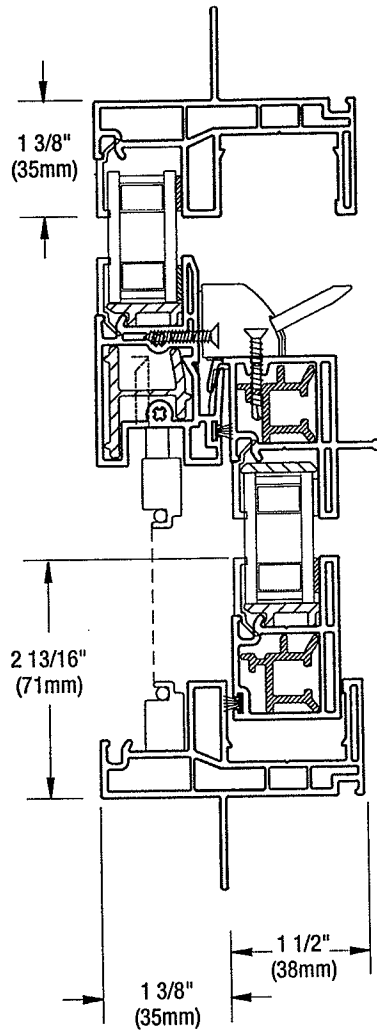
Caution: The use of petroleum based fuels or solvents as release agents in stucco wall installations or glass cleaning will chemically attack materials used in seals and other components, and voids the Milgard Warranty. The use of wax based release agents is recommended.

Expanding foam for insulation purposes should not be used.

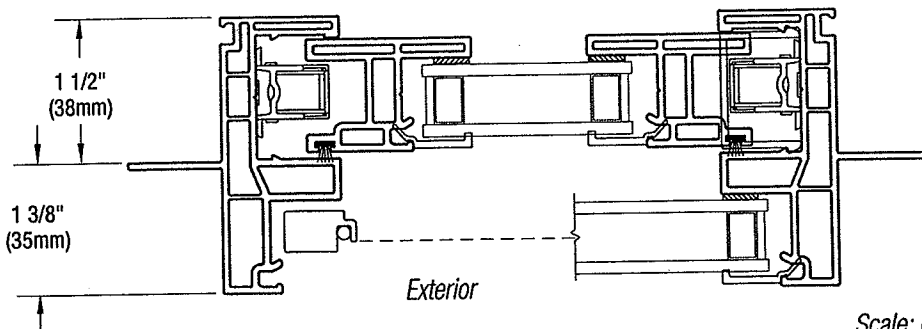
6210 Vertical Sliding Windows

Vertical View

Exterior



Horizontal View

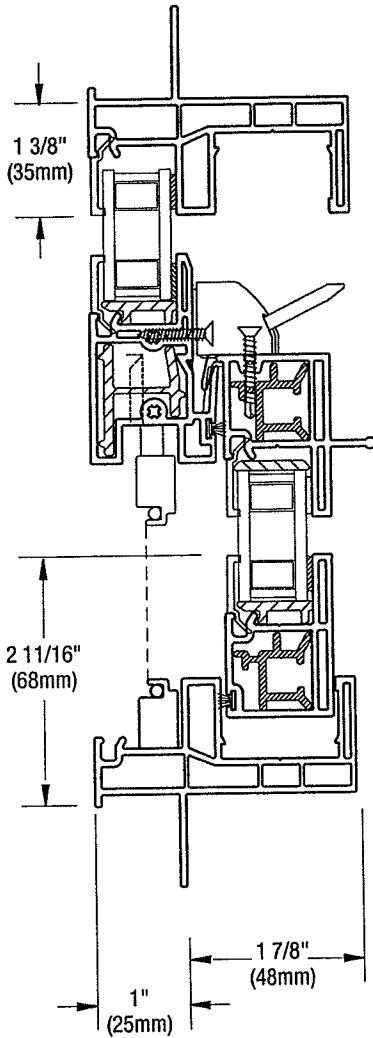


Scale: 6" = 1' (1/2 scale)

6210 Vertical Sliding Windows

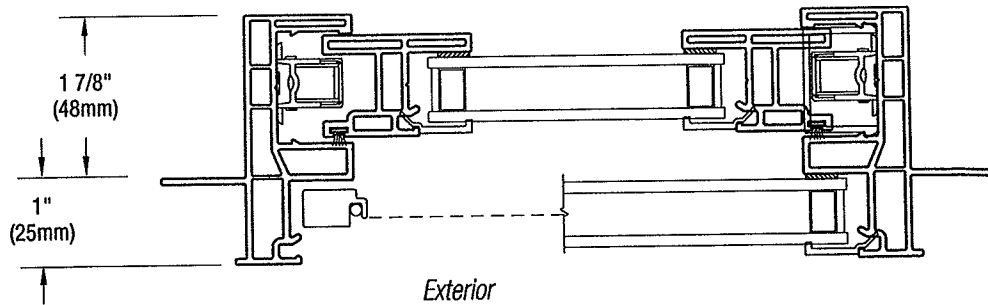
Vertical View

Exterior



Note: 1" Nail fin setback available only in southwest locations. Confirm availability with your Milgard representative.

Horizontal View



Scale: 6" = 1' (1/2 scale)

Due to continual product research and development, details may be changed at any time. ©2008
Products shown are not available at all locations – confirm availability with your local Milgard representative.

LAMPS PLUS

Exterior front
Lighting



Beacon Rhodes 8 3/4" High Outdoor Wall Light (41430)

Designed in the arts and crafts style, this outdoor wall light will give your yard a touch of elegance. Features a Dorian bronze finish and double French scavo glass.

- Dorian bronze finish.
- Double French scavo glass.
- Takes one 60 watt bulb (not included).
- 8 3/4" high.
- 7 1/4" wide.
- Extends 8 1/4" from the wall.

Compare at \$89.99

In Stock - Item Ships in 3 to 5 Days - This Item Ships FREE *

LAMPS PLUS Price: \$57.91

<http://www.LampsPlus.com> 1-800-782-1967

* Offer applies only to shipments made to the 48 continental US States.